

# DENVER IP CAMERAS

BULLET • TURRET • OUTDOOR DOME • INDOOR DOME



## IP cameras

Denver IP cameras are a family of fixed-lens, high definition video surveillance cameras allowing you to monitor your home at any time, from anywhere, giving you the peace of mind that your home and family are safe and secure.

With Denver IP cameras, you can:

- See what's going on in or around your home
- Receive a snapshot email when there is activity
- Deter criminal behavior or mischief with visible cameras around your home • Automatically see cameras on Denver touch screens when there is movement outside

Denver IP cameras were jointly developed with the video experts at LILIN to deliver high-quality video surveillance for today's connected homes. Each camera offers exceptional, high-definition (2 MP/1080p/30 fps) video, viewable on touch screens, televisions, or smartphones—at home or anywhere in the world.

High-output, 30-meter IR LEDs and intelligent image signal processing deliver superior low-light images without motion blur, allowing for great visibility at night. The IP66-rated housing ensures reliable, long term operation when mounted outdoors.

Denver IP Cameras

- High-definition, 1080p resolution @ 30 fps
- Fixed lens
- 100-foot (30-meter) infrared night vision
- IR cut filter for day/night operations
- 3-axis image adjustment
- PoE
- Electronic PTZ (ePTZ)

- Outdoor versions are IP66 rain and dust resistant
- Compatible with ONVIF Profile S Network Video Recorders (NVRs)

#### Outdoor Bullet Camera

- Adjustable sun/rain shield · IR reflection reduction for superior night viewing and wall-mount applications
- Compact design for flexible mounting

#### Outdoor Turret Camera

- IR reflection reduction for superior night viewing and wall-mount applications

#### Outdoor Dome Camera

- Superior IK10 vandal impact resistance

## CAMERA SELECTOR

	CK-CAM-BU832 Bullet Camera	CK-CAM-TU652 Turret Camera	CK-CAM-DO632 Outdoor Dome Camera	CK-CAM-IN302 Indoor Dome Camera
<b>Features</b>				
3-axis easy adjustment	✓	✓	✓	✓
Ceiling mount	✓	✓	✓	✓
Eave mount	✓	✓	✓*	
Wall mount	✓	✓		
Outdoor/weather resistant (IP66, waterproof)	✓	✓	✓**	
Vandal resistant rating	IK10		IK10	
IR reflection reduction	✓	✓		
Adjustable sun/rain shield	✓			
Fits easily in tight mounting environments	✓			

\* Turret and Bullet cameras are designed to reduce IR reflection for optimized night viewing when mounted on an eave. When a dome camera is used on an eave, IR can reflect off of dirt or dust that can collect on the outer surface of the dome, resulting in a foggy image at night or in other low light conditions.

\*\*Must mount in a location not directly exposed to rain, snow, etc.

## FEATURES AND SPECIFICATIONS

<b>CAMERA</b>	
Resolution	2 MP (1920 × 1080)
CMOS	1/2.7"
Frame	rate 30 fps

Focus	Fixed
FOV	94° (horizontal) × 50° (vertical)
Range	100 feet (30 m)
Illumination IR LEDs, 0 lux	Minimum without IR (color): 0.15 lux @ F2.0 Minimum without IR (monochrome): 0.05 lux @ F2.0
Firmware	Upgrade via Camera web UI or IPScan software
Power	PoE or 12V power supply

<b>SETTINGS</b>	
Streaming	H.264, Motion JPEG (three streams)
Simultaneous users	10
ePTZ	Yes
White balance	Auto, Tungsten, Indoor, Fluorescents <sup>1</sup> , Fluorescents <sup>2</sup> , Outdoor <sup>1</sup> , Outdoor <sup>2</sup>
Shutter speed	1/30s to 1/8,000s
Adjustable picture	Contrast, brightness, saturation, sharpness, image flip, image mirror, hue, corridor
IR cut filter	Color (day), Monochrome (night), Auto, Schedule
Video streaming	RTP/HTTP, RTP/TCP, RTP, UDP, multicast. Configurable frame rate and bandwidth.
Auto gain control	36 dB variable gain
3D noise reduction	Off, 1-32 (selectable)
2D WDR	Off, Auto, x2, x3, x4
OSD	Text over date, time, and camera name
Sense-Up+	Yes
ONVIF	Profile S / LILIN API (CGI)

<b>SECURITY</b>	
User accounts	10 accounts available, multiple access levels, password protected
Encryption	Base64 HTTP encryption
Motion detection	Yes
Email notification	Yes
Privacy masking	Off, On (4 independent zones)
Alarm events	Triggers: Motion, lost connection Actions: FTP, SMTP, HTTP post, SAMBA

<b>NETWORK</b>	
Network interface	10Base-T, 100Base-TX, RJ-45
Protocols	HTTP, SDDP, DHCP, IPv4, IPv6, UDP, SMTP, NTP, DDNS, UPnP, FTP, ARP, PPPoE, DNS, RTSP, RTCP, Telnet, ICMP, IGMP, ONVIF profiles, SNMP, SIP, Bonjour

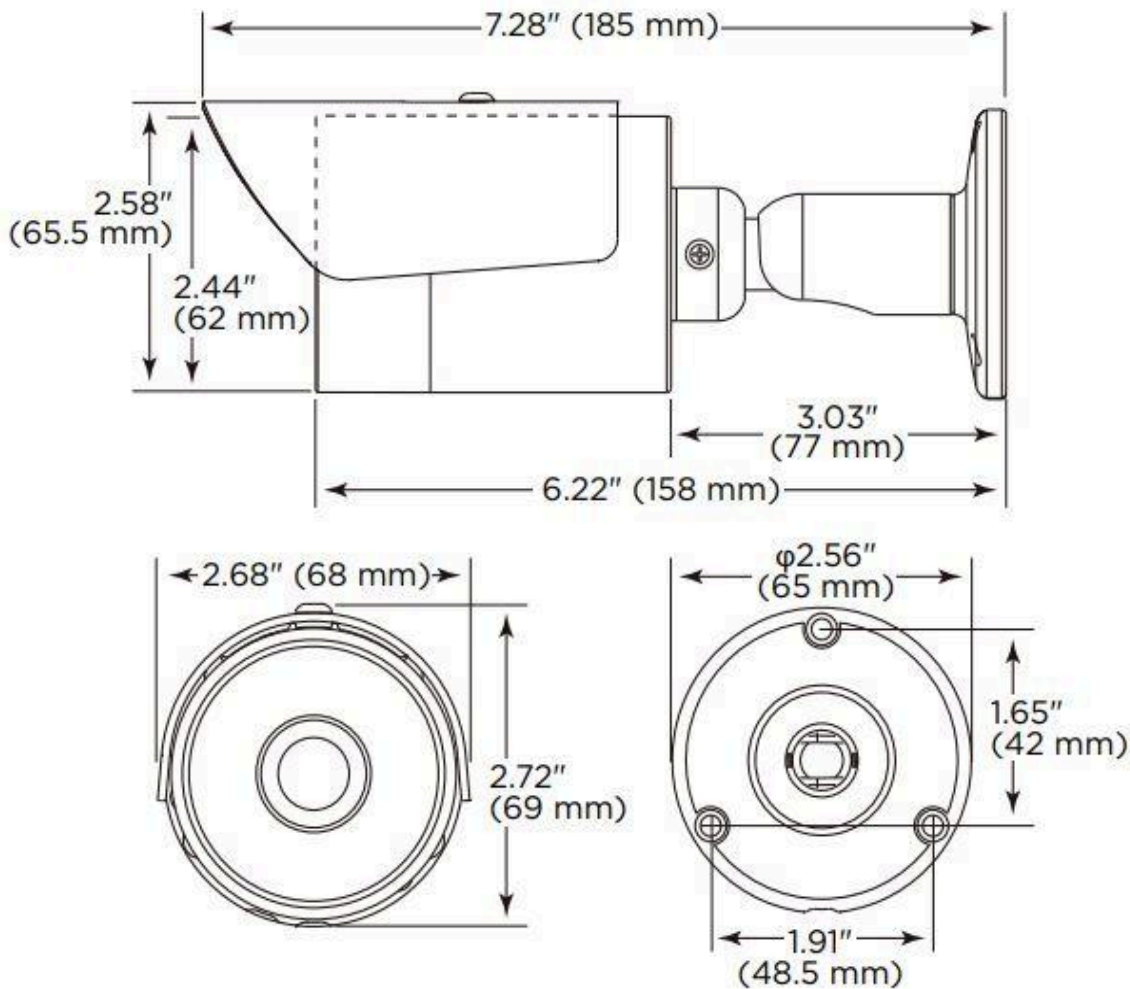
# CK-CAM-BU32 BULLET CAMERA

## BULLET CAMERA

Mount  
 Dimensions  
 Weight  
 Power consumption  
 Illumination  
 Glass  
 Weather resistant  
  
 Vandal resistant  
 IR reflection reduction  
 SD Card

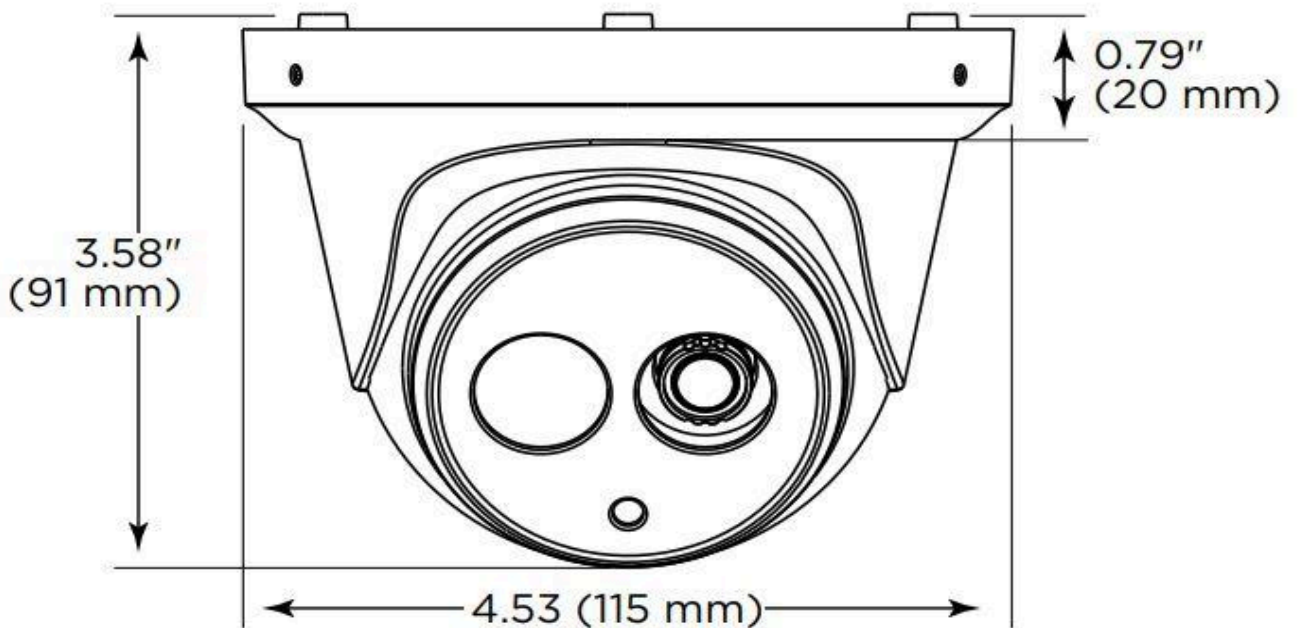
## DESCRIPTION

Indoor/outdoor bullet, ceiling/eaves, wall  
 2.68 × 2.72 × 7.28" (68 × 69 × 185 mm)  
 15.87 oz (450 g)  
 12VDC, 7.5W; PoE, 8.5W  
 IR LEDs, range 100 ft (30 m)  
 Heat resistant  
 IP66, waterproof  
 Adjustable sun/rain shield  
 IK10 (protects against impact of 5 kg at 40 cm)  
 Yes  
 Yes



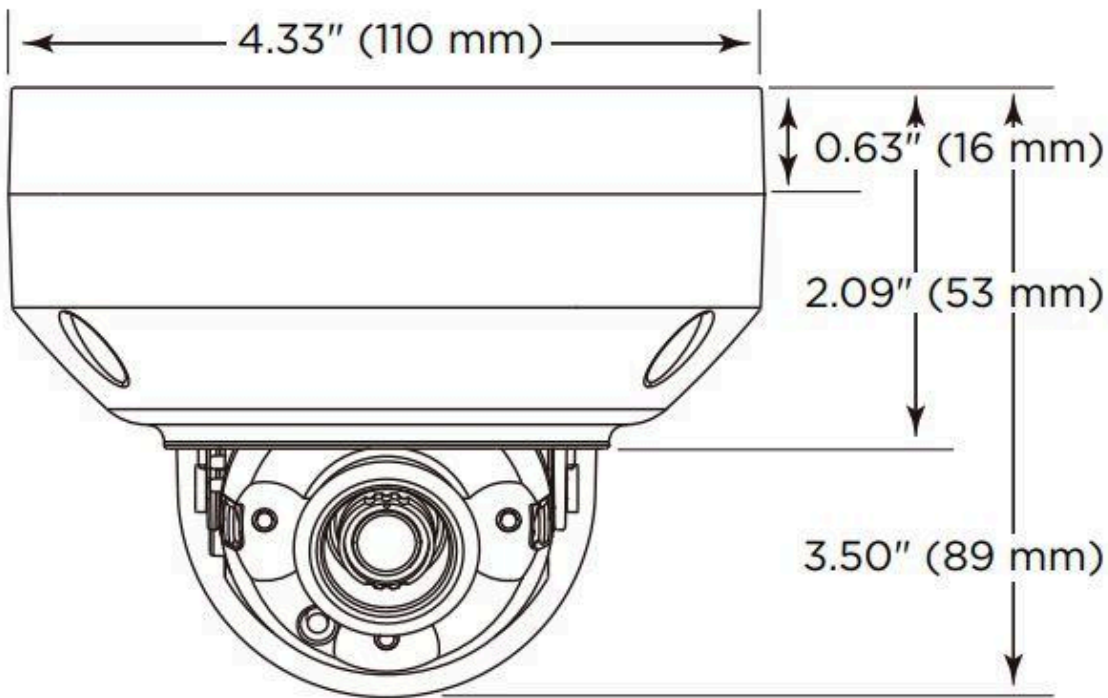
# CK-CAM-TU652 TURRET CAMERA

TURRET	CAMERA DESCRIPTION
Mount	Indoor/Outdoor fixed turret, ceiling/eave, wall
Dimensions	4.53 × 3.58" (115 × 91 mm)
Weight	15.87 oz (450 g)
Power consumption	12VDC, 5.8W; PoE, 7W
Illumination	IR LEDs, range 100 feet (30 m)
Image improvement	Separate lens and IR window
Weather resistant	IP66, waterproof
Vandal resistant	IK7 (protects against impact of 500 g at 40 cm)
IR reflection reduction	Yes; separate lens and IR window for improved image
SD Card No	



# CK-CAM-DO632 OUTDOOR DOME CAMERA

OUTDOOR DOME CAMERA	DESCRIPTION
Mount	Outdoor dome, ceiling/eaves
Dimensions	4.33 x 3.50" (110 x 89 mm)
Weight	17.64 oz (500 g)
Power consumption	12VDC, 4.8W; PoE, 6W
Illumination	IR LEDs, 60 degree spread, range 100 feet (30 m)
Weather resistant	IP66, waterproof
Vandal resistant	IK10 (protects against impact of 5 kg at 40 cm)
SD Card	Yes



# CK-CAM-IN302 INDOOR DOME CAMERA

INDOOR DOME CAMERA	DESCRIPTION
Mount	Indoor dome, ceiling
Dimensions	4.33 × 3.50" (110 × 89 mm)
Weight	12.70 oz (360 g)
Power consumption	12VDC, 4.8W; PoE, 6W
Illumination	IR LEDs, 60 degree spread, range 100 feet (30 m)
SD Card	Yes

